

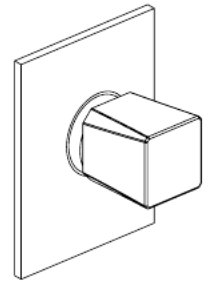
**9440200**

Volume Control Trim

**FINISHES**

9440200PC Polished Chrome  
 9440200BN Brushed Nickel

needs rough VALVE 400 / 402



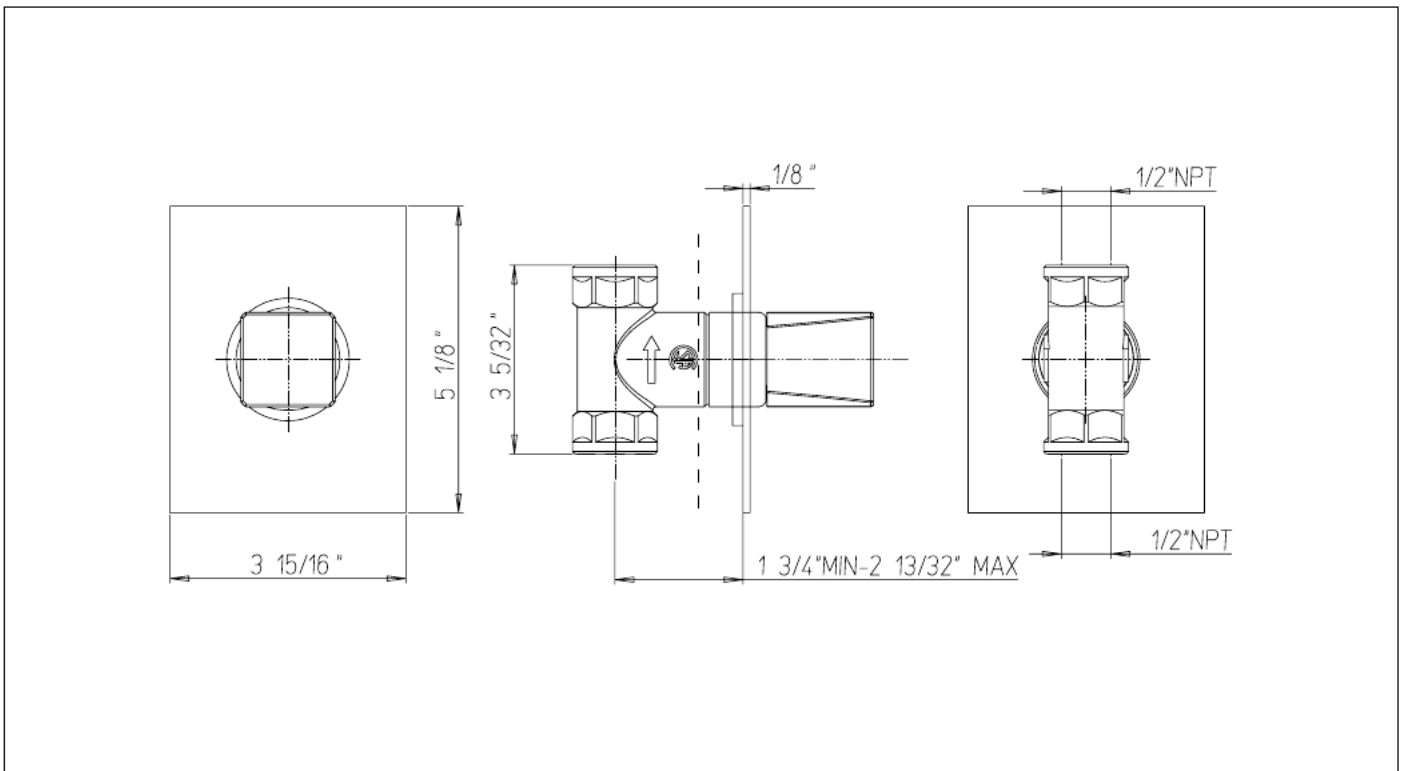
**STANDARDS**

- Compliant with ASME A112.18.1 - CSA B125.1 when sold with rough valve
- Certified by IAPMO R&T Lab when sold with rough valve
- ADA Compliant

**FEATURES**

Solid Brass Construction  
 Complete Trim Kit  
 1/4 turn ceramic disc valve  
 Step-By-Step Installation Instructions

**DIMENSIONS**



Project \_\_\_\_\_  
 Contractor \_\_\_\_\_