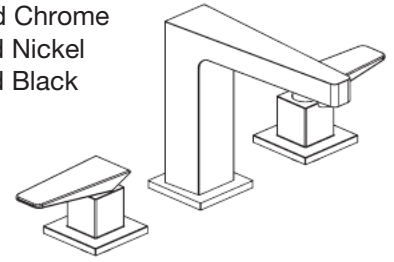


942140C

8" Widespread Lavatory

FINISHES

- 942140CPC Polished Chrome
- 942140CBN Brushed Nickel
- 942140CBB Brushed Black



STANDARDS

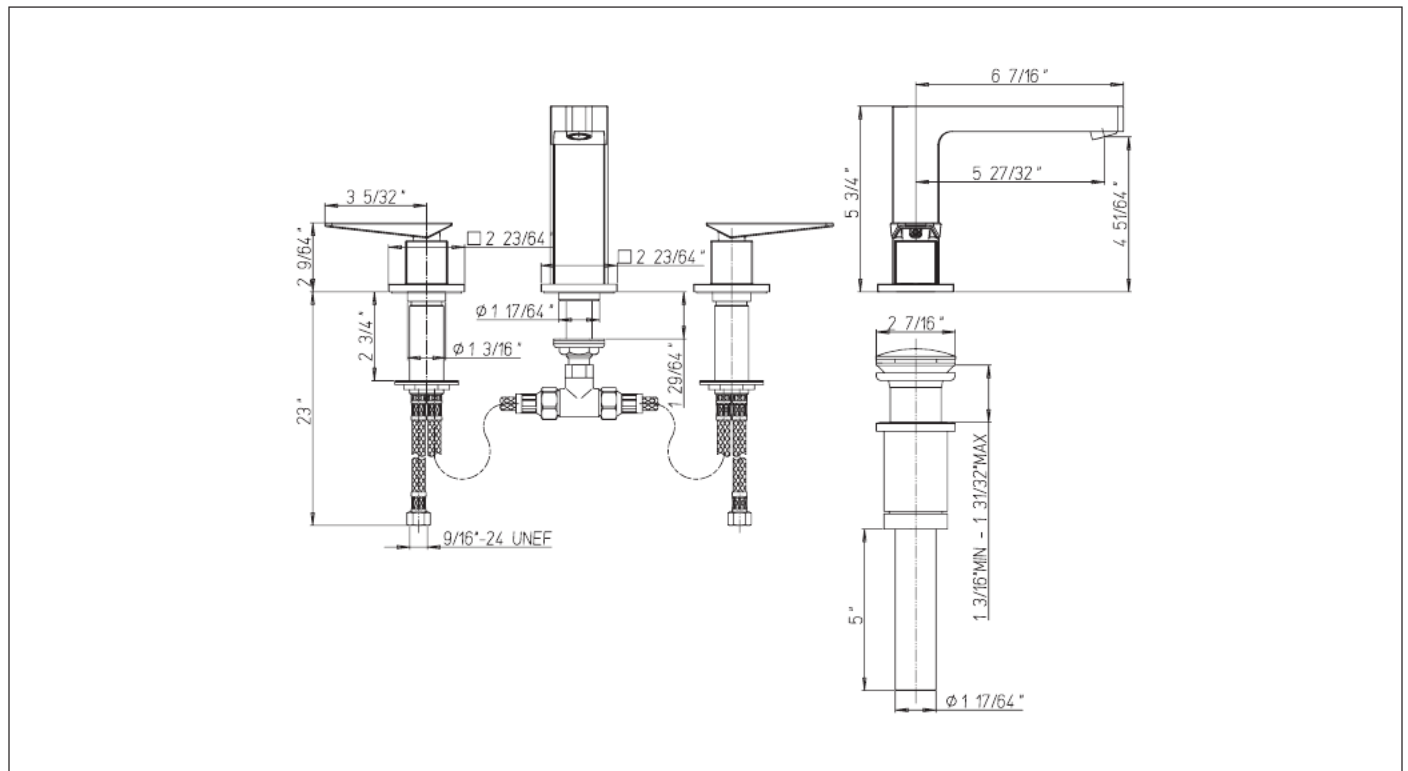


- Compliant with ASME A112.18.1 - CSA B125.1
- Compliant with ANSI/NSF 61
- Compliant with NSF 372 (Low lead)
- Certified by IAPMO R&T Lab
- Meets EPA Water Sense Certification:
1.2gpm, 4.5L/min
- ADA Compliant

FEATURES

- Solid Brass Construction
- 1/4 turn Ceramic Disc Valve
- Metal Pop-up assembly
- Step-By-Step Installation Instructions

DIMENSIONS



Project _____
 Contractor _____