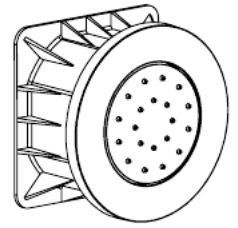


**92721RDC**

Round Body Spray Tile

**FINISHES**

- 92721RDCPC Polished Chrome
- 92721RDCBN Brushed Nickel
- 92721RDCBG Brushed Gold
- 92721RDCBB Brushed Black



**STANDARDS**

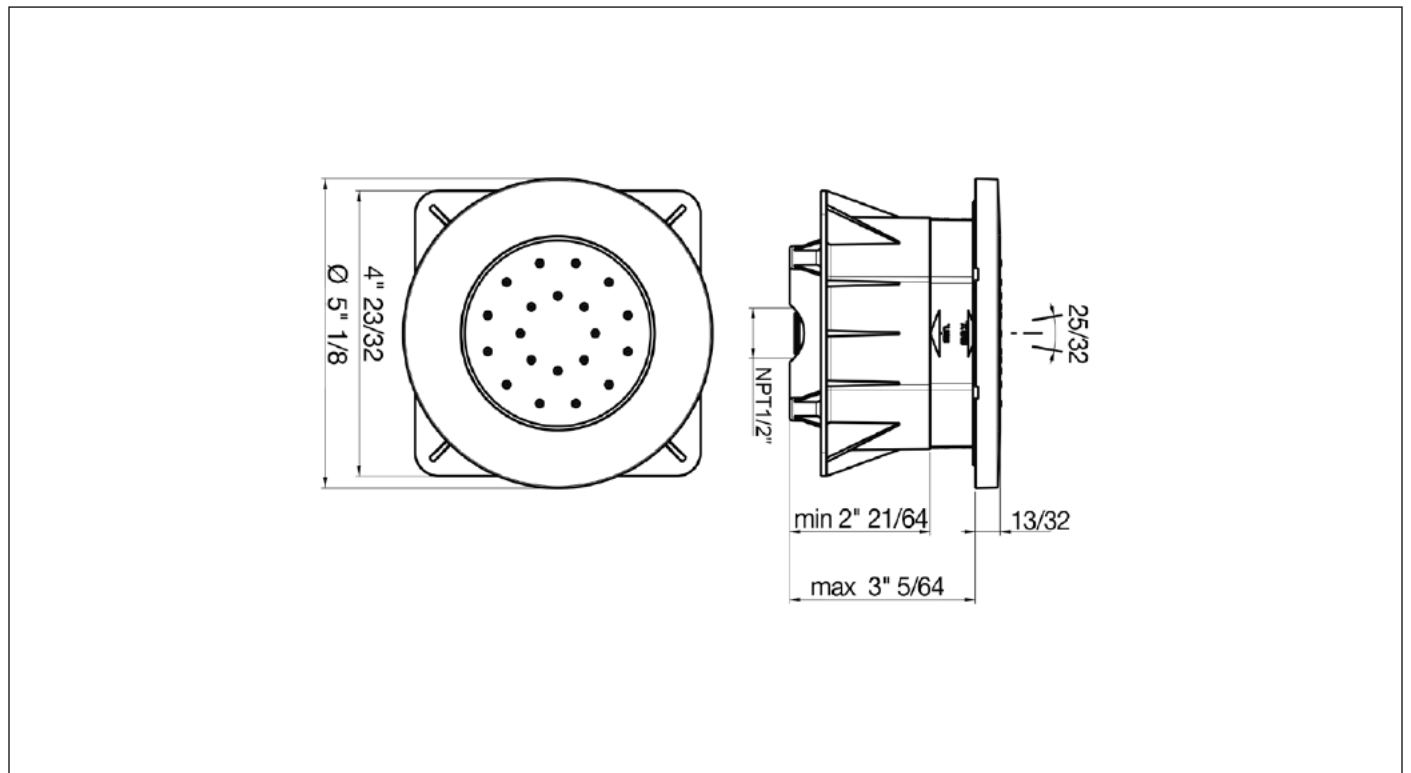


- Compliant with ASME A112.18.1 - CSA B125.1
- Certified by IAPMO R&T Lab
- CEC listed

**FEATURES**

- Solid Brass Construction
- Directional Body Spray
- 30° Rotation
- 1/2" Female NPT Connection
- 1.5 GPM @ 60 PSI MAX
- Step-By-Step Installation Instructions

**DIMENSIONS**



Project \_\_\_\_\_  
 Contractor \_\_\_\_\_