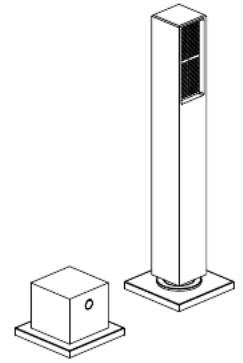


**8444700**

Diverter kit to complete the 5 holes roman tub installation

**FINISHES**

- 8444700PC Polished Chrome
- 8444700BN Brushed Nickel
- 8444700BB Brushed Black



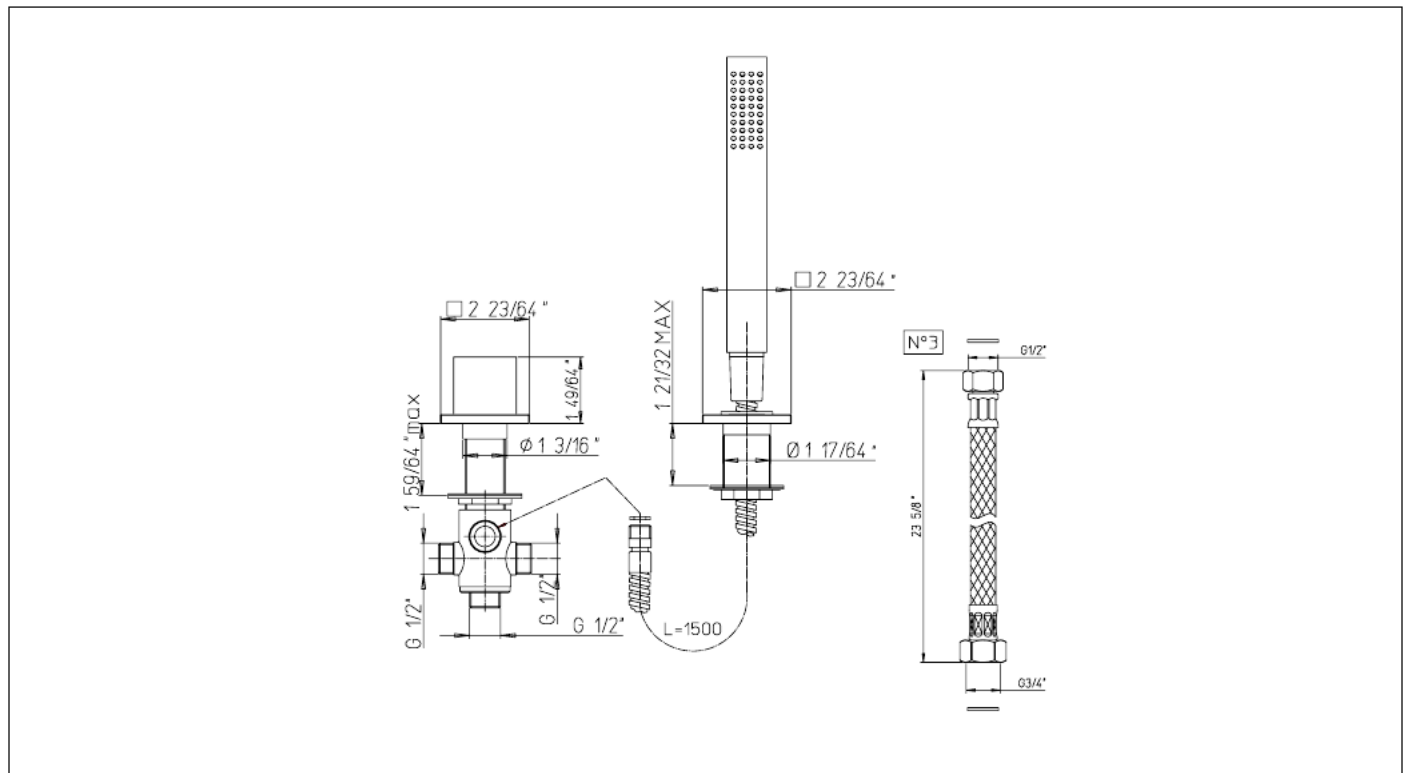
**STANDARDS**

- Compliant with ASME A112.18.1 - CSA B125.1

**FEATURES**

- Solid Brass Construction
- Single Control Diverter Cartridge
- Pull out matching hand spray
- Hand spray flow rate 1.8 gpm
- Includes check valve for Backflow prevention
- Step-By-Step Installation Instructions

**DIMENSIONS**



Project \_\_\_\_\_  
 Contractor \_\_\_\_\_