

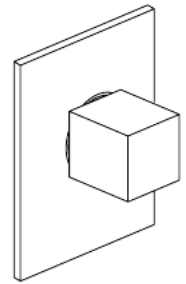
84402SQ

Volume Control Trim

needs rough VALVE 400 / 402

FINISHES

- 84402SQPC Polished Chrome
- 84402SQBN Brushed Nickel
- 84402SQBB Brushed Black



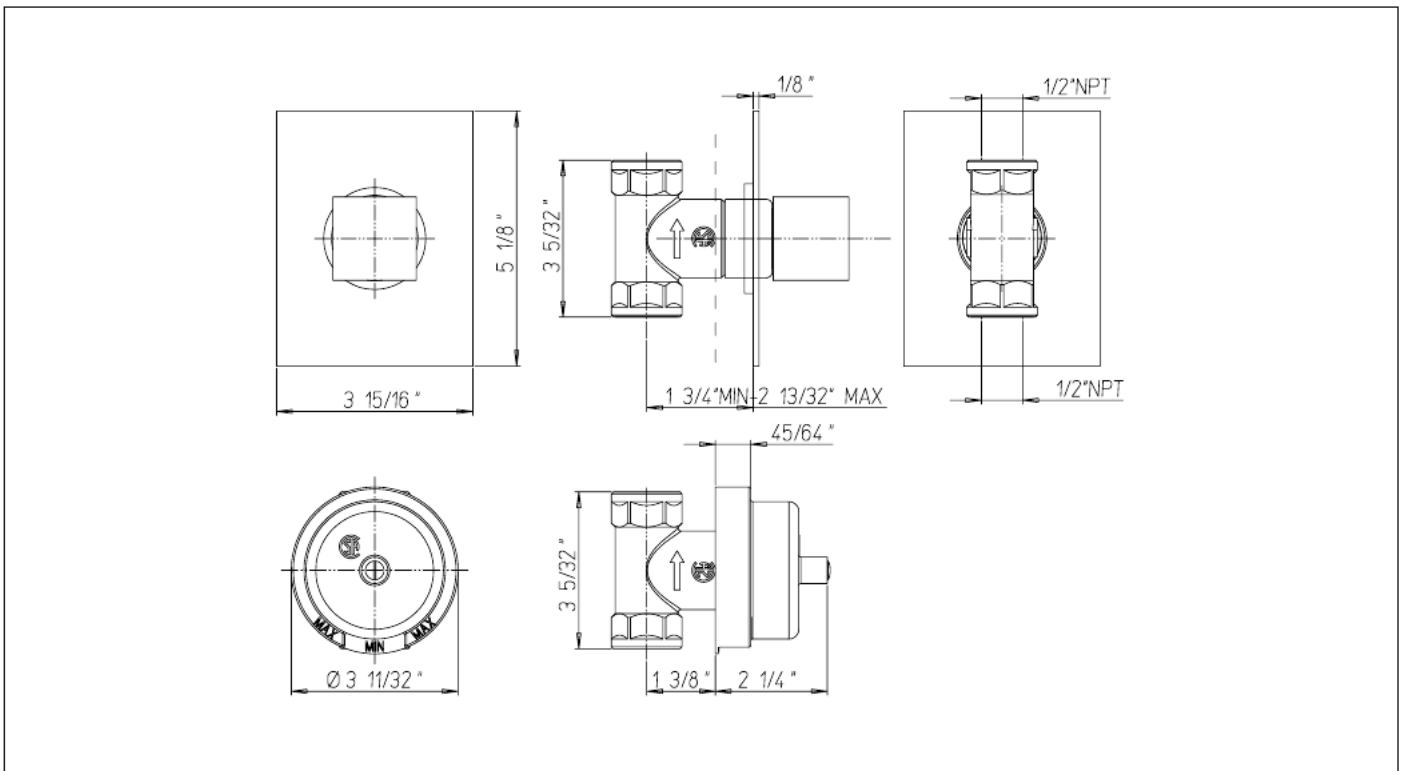
STANDARDS

- Compliant with ASME A112.18.1 - CSA B125.1 when sold with rough valve
- Certified by IAPMO R&T Lab when sold with rough valve

FEATURES

- Solid Brass Construction
- Complete Trim Kit
- 1/4 turn ceramic disc valve
- Step-By-Step Installation Instructions

DIMENSIONS



Project _____

Contractor _____