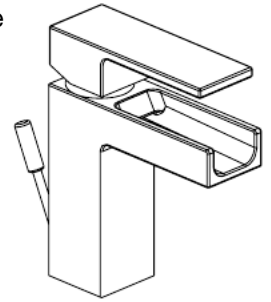


84211WC

Single Control Trough

FINISHES

84211WCPC Polished Chrome
 84211WCBN Brushed Nickel



STANDARDS

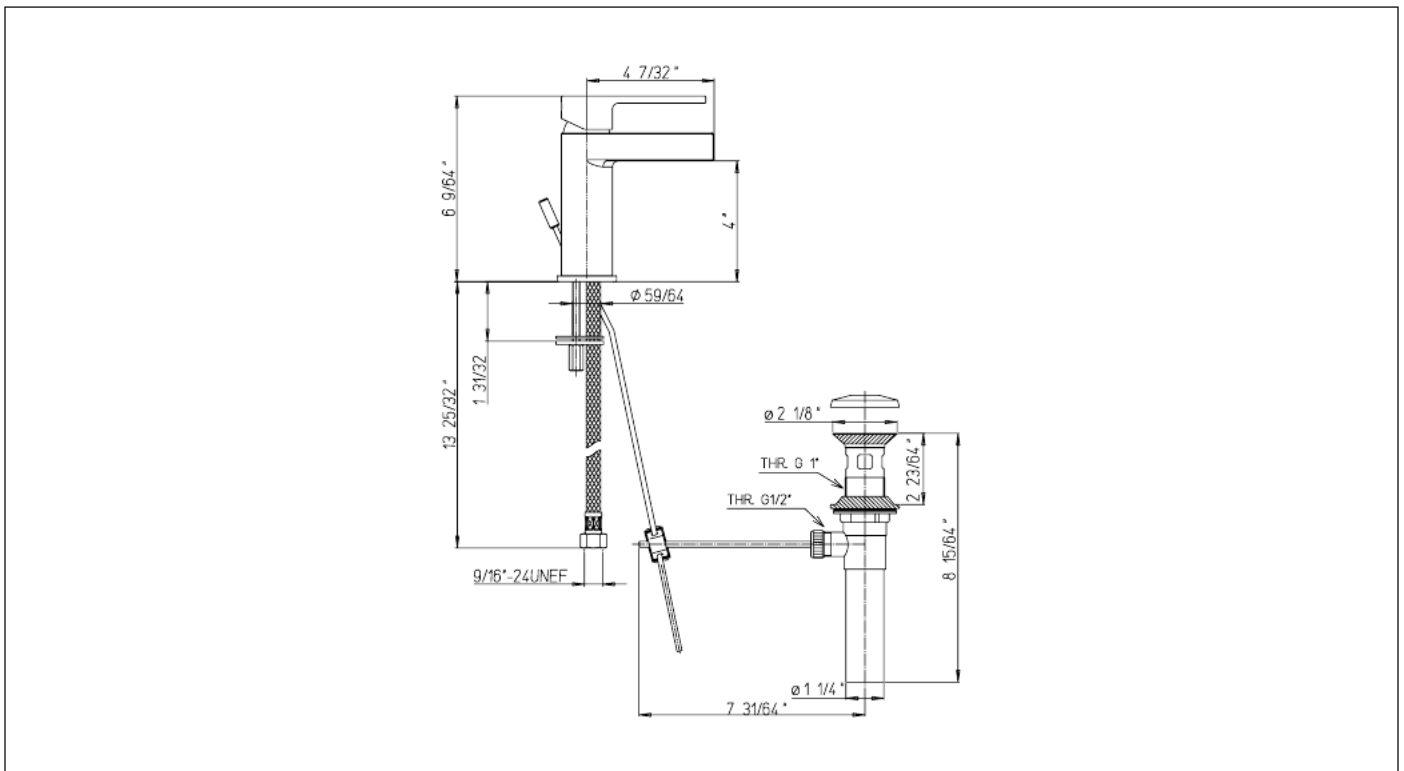


- Compliant with ASME A112.18.1 - CSA B125.1
- Compliant with ANSI/NSF 61
- Compliant with NSF 372 (Low lead)
- Certified by IAPMO R&T Lab
- Meets EPA Water Sense Certification: 1.2gpm, 4.5L/min

FEATURES

Solid Brass Construction
 Single Control Ceramic Disc Valve
 Metal Pop-up assembly
 1 hole installation. Optional 3-hole deckplate sold separately
 Step-By-Step Installation Instructions

DIMENSIONS



Project _____
 Contractor _____