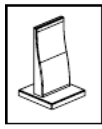
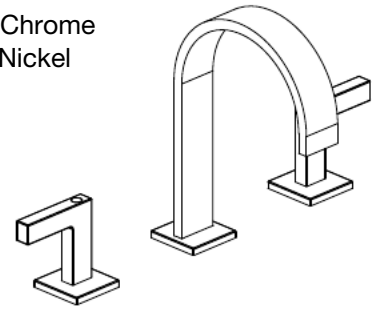


**8410200**  
3-Hole Roman Tub

**FINISHES**  
8410200PC Polished Chrome  
8410200BN Brushed Nickel



Both handle included



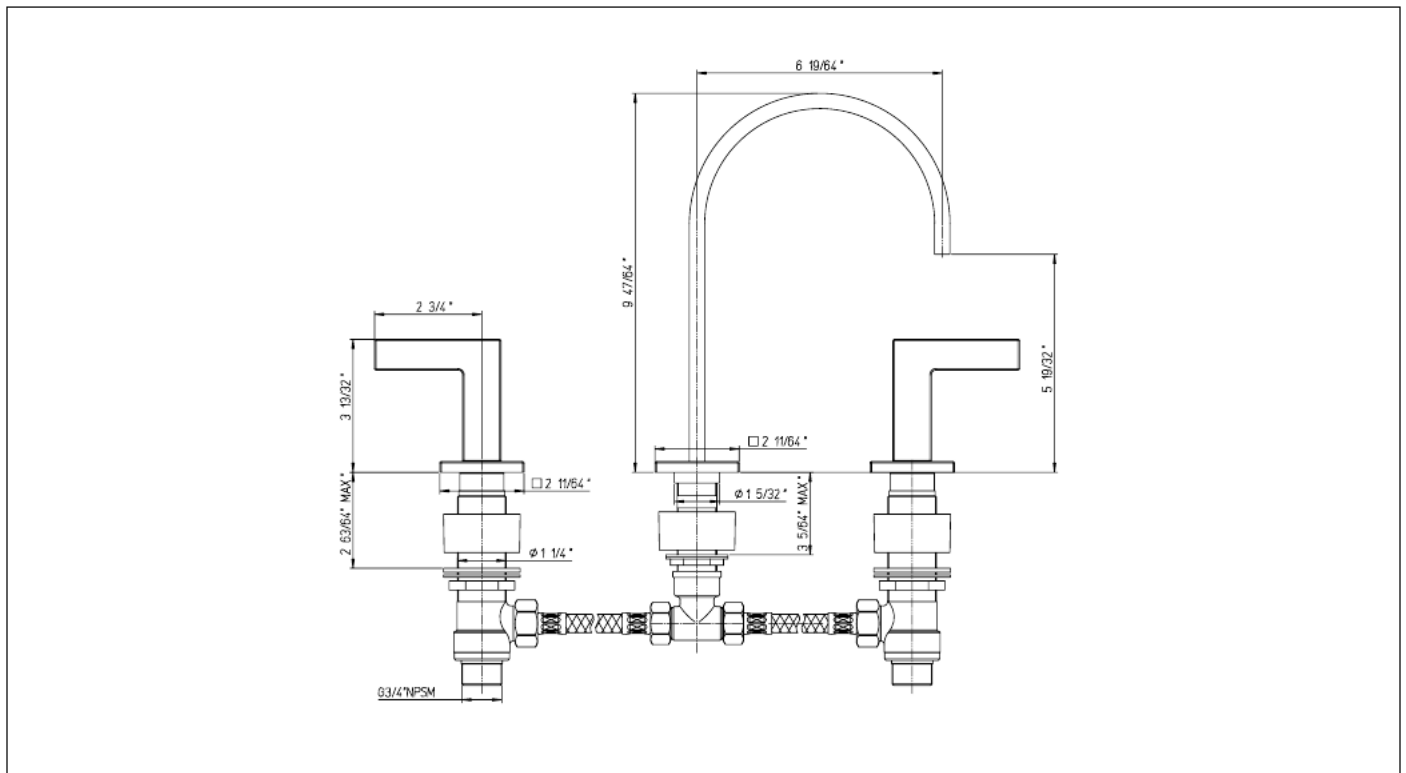
**STANDARDS**

- Compliant with ASME A112.18.1 - CSA B125.1
- Certified by IAPMO R&T Lab
- ADA Compliant

**FEATURES**

Solid Brass Construction  
3/4 Ceramic Disc Valve  
Flow rate 10 gpm, @60 psi  
Step-By-Step Installation Instructions

**DIMENSIONS**



Project \_\_\_\_\_  
Contractor \_\_\_\_\_