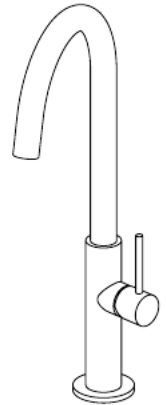


7849200

Single Control Bar Faucet

FINISHES

7849200PC Polished Chrome
7849200BN Brushed Nickel



STANDARDS

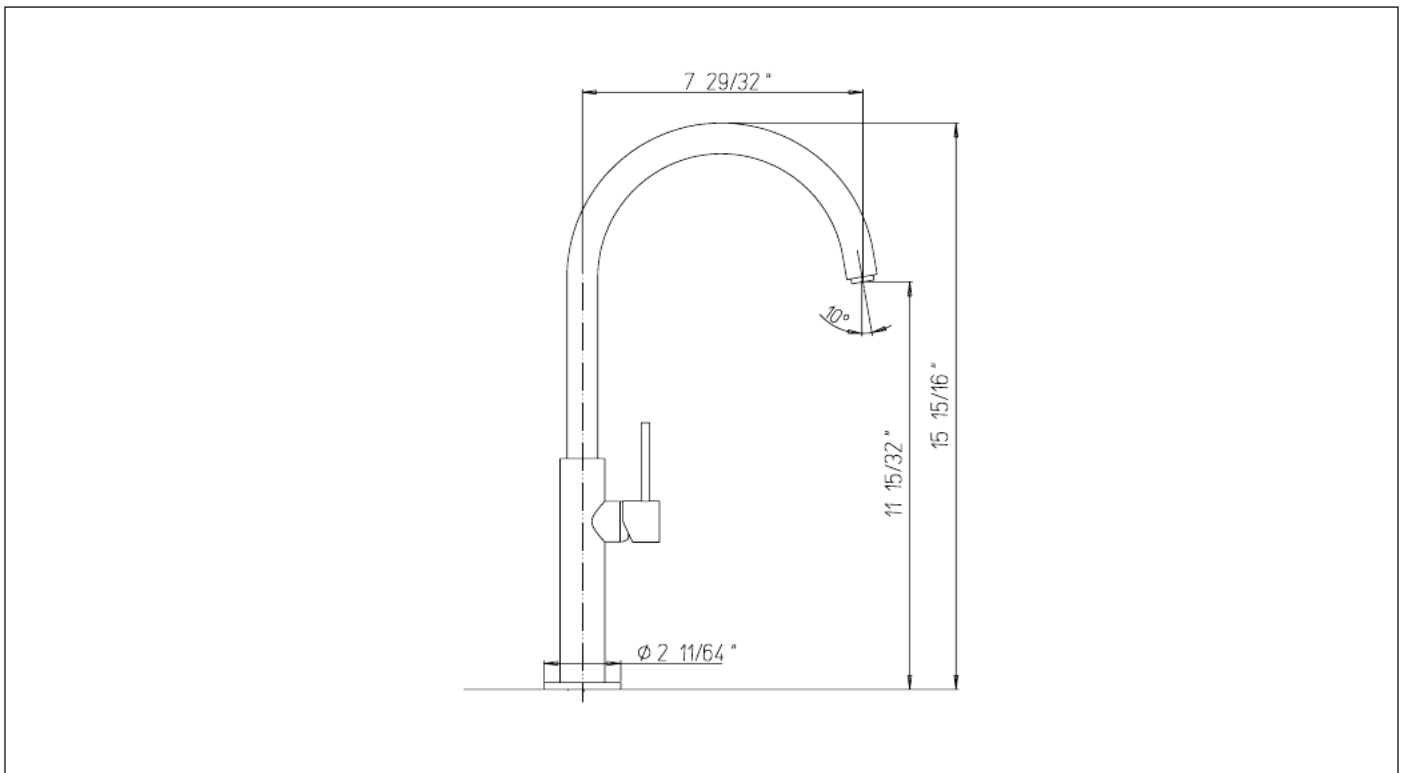


- Compliant with ASME A112.18.1 - CSA B125.1
- Compliant with ANSI/NSF 61
- Certified by IAPMO R&T Lab
- Meets EPA Water Sense Certification:
1.8gpm, L/min 6.8
- ADA Compliant

FEATURES

- Solid brass construction
- Single control ceramic disc valve
- Optional 3-hole deckplate sold separately
- 180° Spout rotation
- Step-By-Step Installation Instructions

DIMENSIONS



Project _____
Contractor _____