

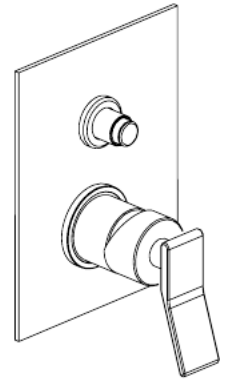
7478800

Pressure Balance Valve
Trim With Diverter Only

needs rough VALVE 788

FINISHES

7478800PC Polished Chrome
7478800BN Brushed Nickel



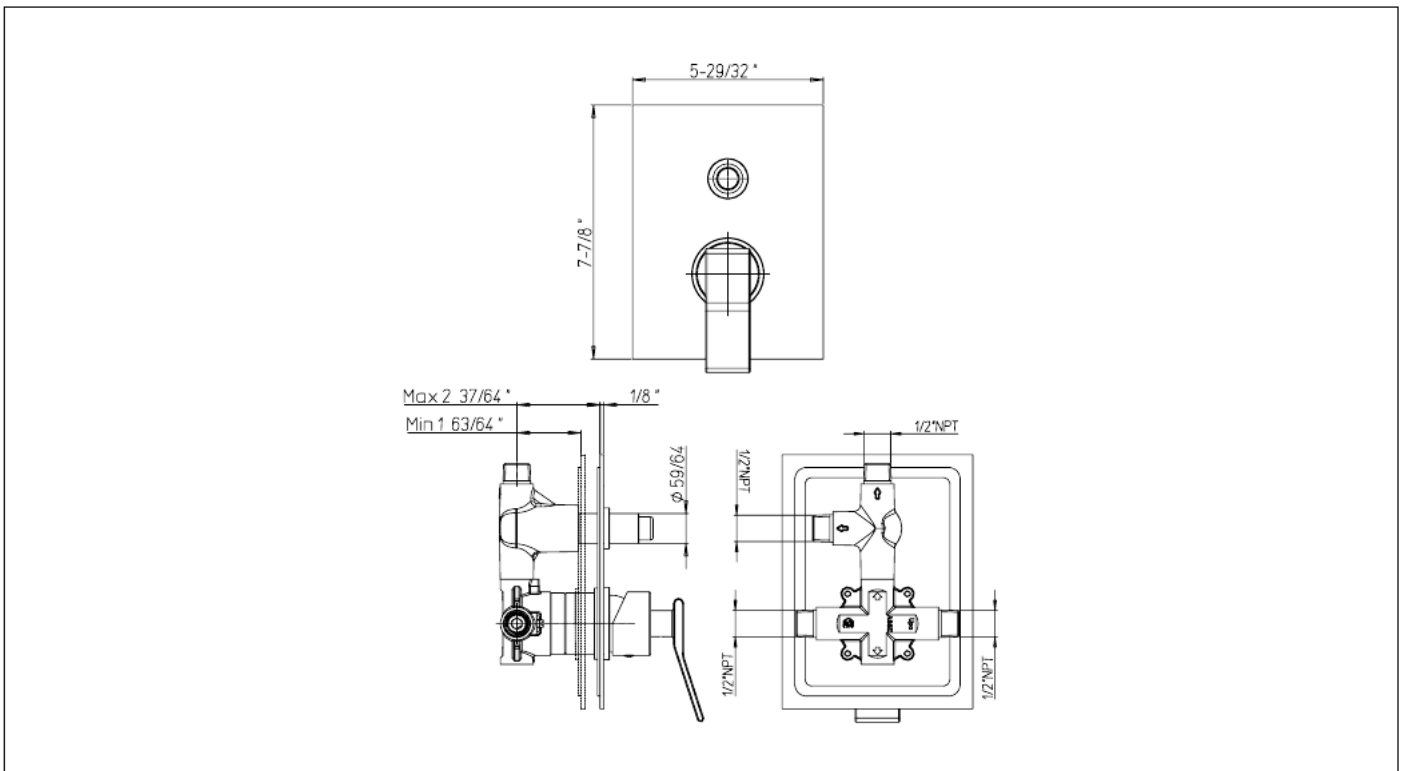
STANDARDS

- Compliant with ASME A112.18.1 - CSA B125.1 when sold with rough valve
- Certified by IAPMO R&T Lab when sold with rough valve
- ADA Compliant

FEATURES

Solid Brass Construction
Pressure Balance Trim
Mechanical diverter
Built-in volume control
Includes pressure balance cartridge
1/2" Pressure Balance Valve featuring Ceramic Discs
Step-By-Step Installation Instructions

DIMENSIONS



Project _____
Contractor _____