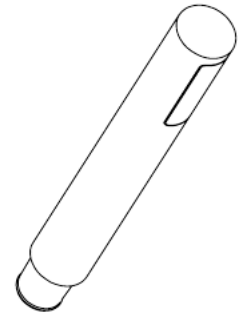


607800C

Solid Brass Handshower

FINISHES

- 607800CPC Polished Chrome
- 607800CBN Brushed Nickel
- 607800CBG Brushed Gold
- 607800CBB Brushed Black



STANDARDS

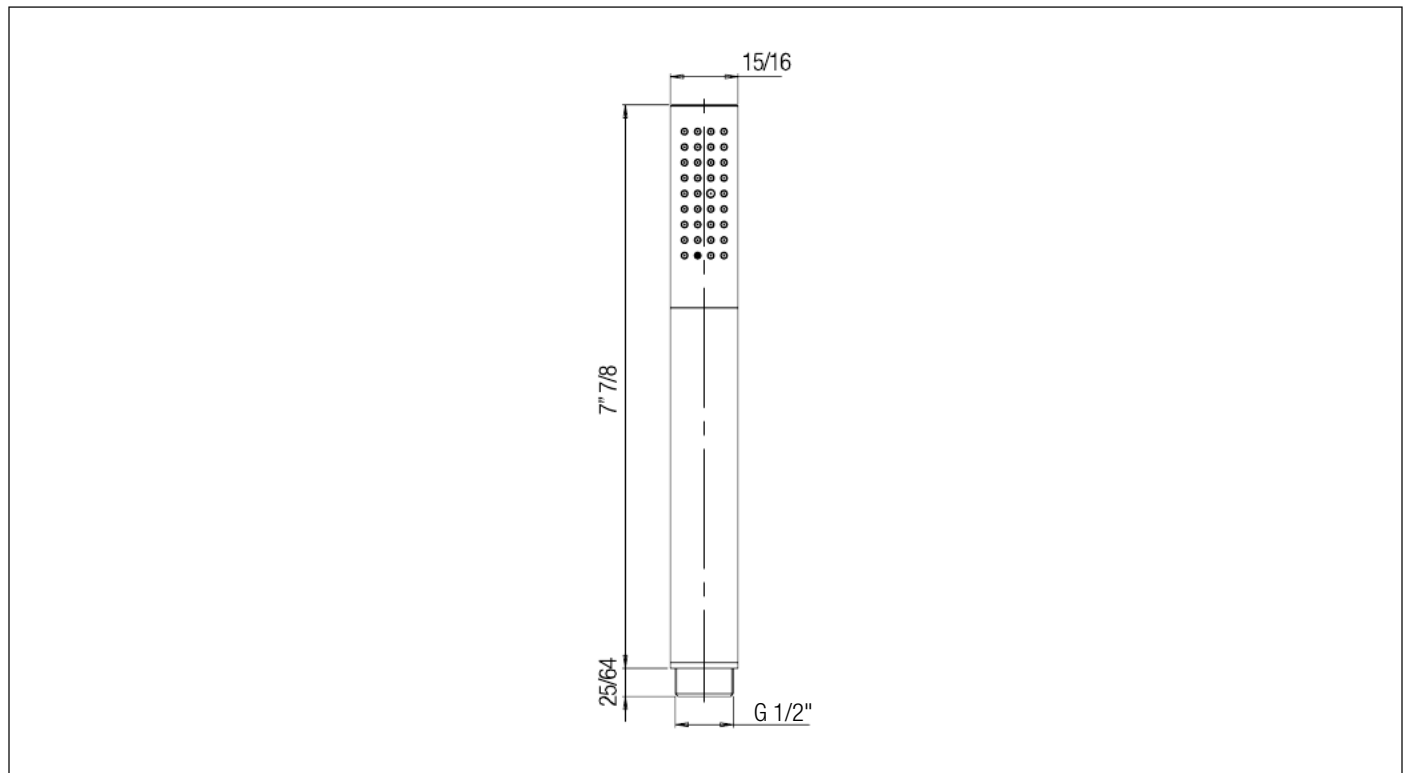


- Compliant with ASME A112.18.1 - CSA B125.1
- Certified by IAPMO R&T Lab
- CEC listed

FEATURES

- Solid Brass Construction
- 1.8 GPM @ 80 PSI MAX
- Backflow preventer
- Step-By-Step Installation Instructions

DIMENSIONS



Project _____

Contractor _____