

5095500

Push Down square
Pop Up Waste

FINISHES

5095500PC Polished Chrome
5095500BN Brushed Nickel
5095500BB Brushed Black

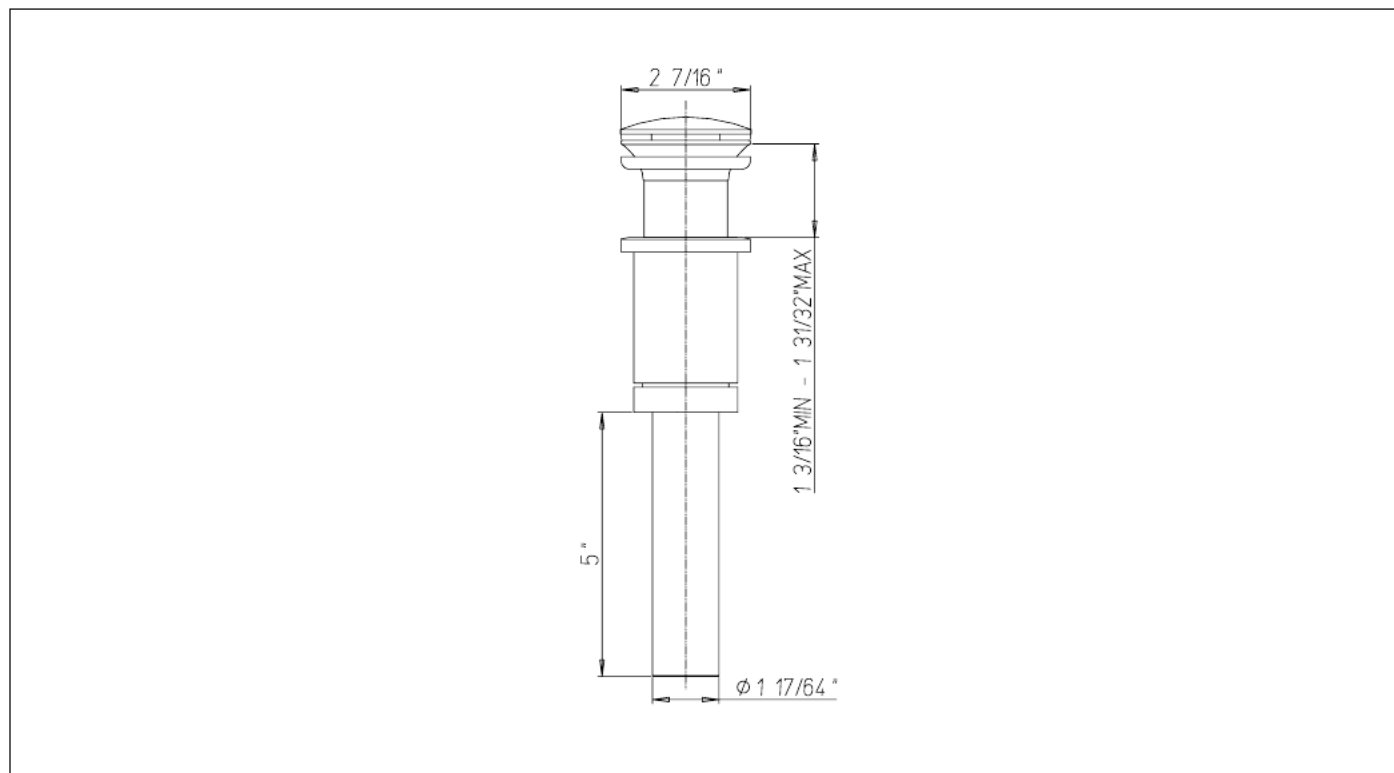
STANDARDS

- Compliant with ASME A112.18.1 - CSA B125.1

FEATURES

Solid Brass Construction
Works for both applications overflow
and not overflow sink
Step-By-Step Installation Instructions

DIMENSIONS



Project _____

Contractor _____